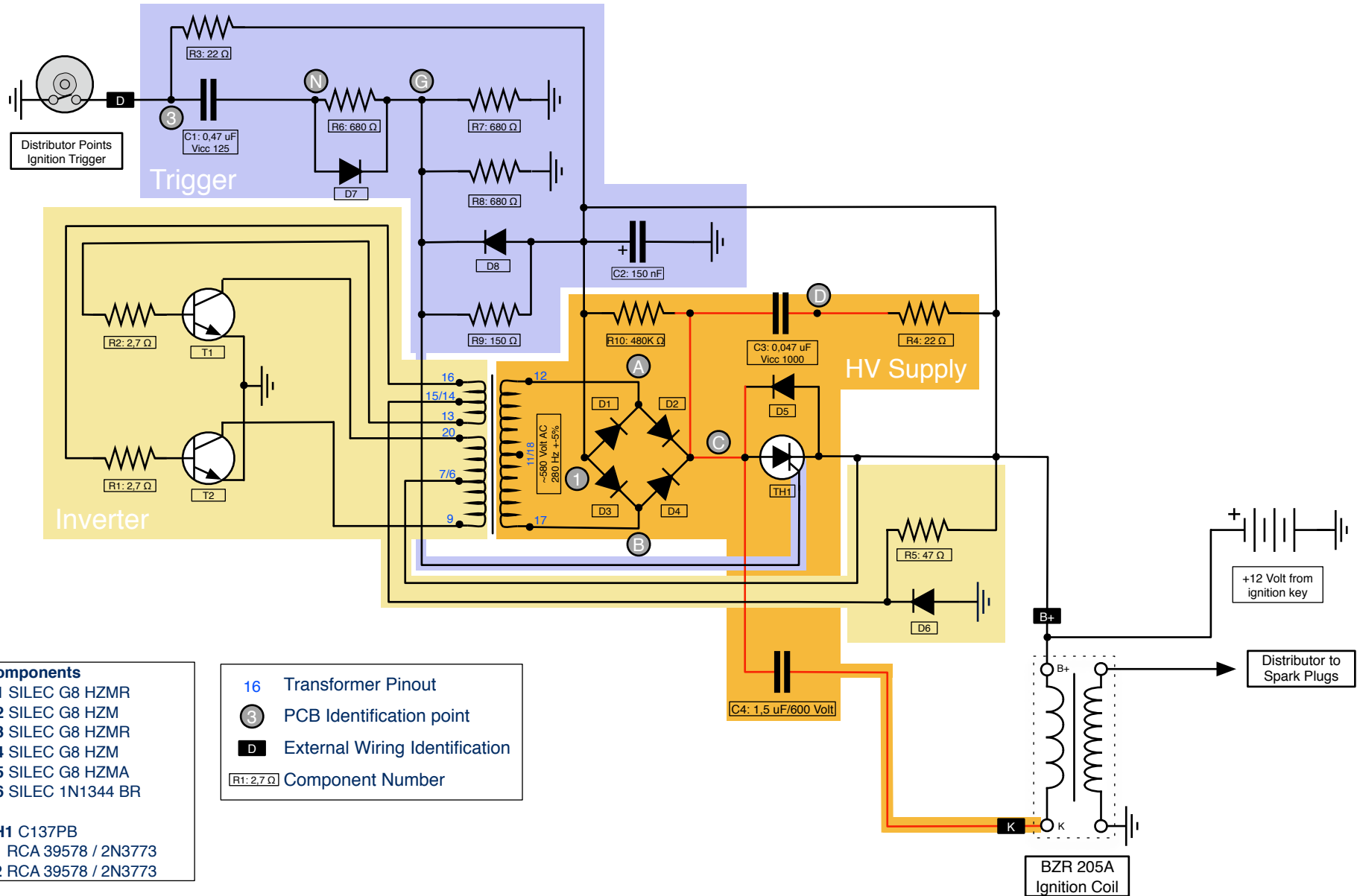


Magneti Marelli Dinoplex AEC101 C/CA/CB/D/DA/E/EA Circuit Diagram
PCB version 740239-10, 740311-10
V 1.5 info@dinoplex.org 11/2008, www.dinoplex.org



Components

- D1** SILEC G8 HZMR
- D2** SILEC G8 HZM
- D3** SILEC G8 HZMR
- D4** SILEC G8 HZM
- D5** SILEC G8 HZMA
- D6** SILEC 1N1344 BR

- TH1** C137PB
- T1** RCA 39578 / 2N3773
- T2** RCA 39578 / 2N3773

16 Transformer Pinout

3 PCB Identification point

D External Wiring Identification

R1: 2.7Ω Component Number